

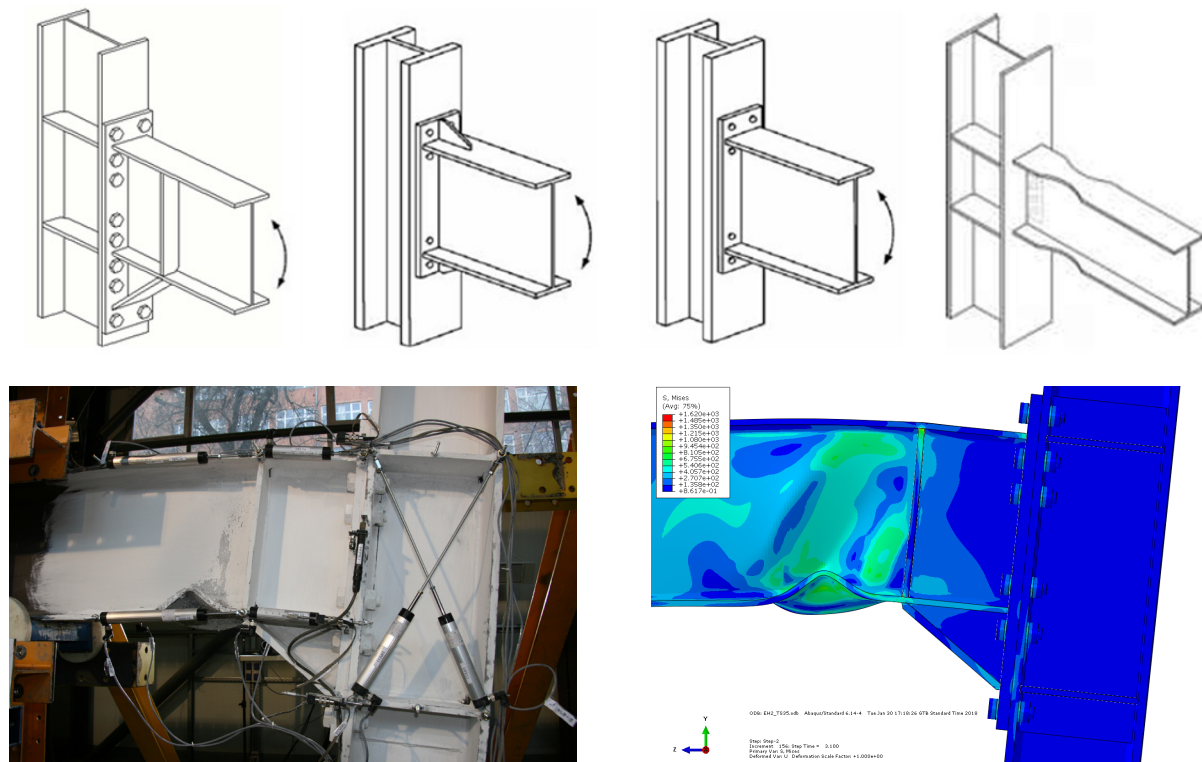
VALORISATION OF KNOWLEDGE FOR EUROPEAN PRE-QUALIFIED STEEL JOINTS

Goal of the project

Seismic prequalification criteria for certain steel joint typologies were developed during the previous RFCS project, EQUALJOINTS. The current project aims to valorize, disseminate and extend the prequalification criteria for practical applications to a wide audience by producing informative documents, design guidelines and organizing seminars and workshops.

Short description of the project

The project aims the implementation of the prequalification criteria of the steel moment resisting beam-to-column joints in the future versions of design codes.



Project implemented by

UNIVERSITA DEGLI STUDI DI NAPOLI FEDERICO II (UNINA)
- coordinator
ARCELORMITTAL BELVAL & DIFFERDANGE SA (AMBD)
UNIVERSITE DE LIEGE (ULG)
UNIVERSITATEA POLITEHNICA TIMISOARA (UPT)
UNIVERSIDADE DE COIMBRA (UC)
EUROPEAN CONVENTION FOR CONSTRUCTIONAL STEELWORK (ECCS)
UNIVERSITA DEGLI STUDI DI SALERNO (UNISA)
IMPERIAL COLLEGE OF SCIENCE TECHNOLOGY AND MEDICINE
(Imperial)

Centre Technique Industriel de la Construction Metallique (CTICM)
NATIONAL TECHNICAL UNIVERSITY OF ATHENS (NTUA)
CESKE VYSOKE UCENI TECHNICKE V PRAZE (CVUT)
TECHNISCHE UNIVERSITEIT DELFT (TU Delft)
UNIVERZA V LJUBLJANI (UL)
UNIVERSITET PO ARCHITEKTURA STROITELSTVO I GEODEZIJA (UASG)
UNIVERSITAT POLITECNICA DE CATALUNYA (UPC)
RHEINISCH-WESTFAELISCHE TECHNISCHE HOCHSCHULE AACHEN
(RWTH AACHEN)

Implementation period

01.07.2017 – 30.06.2019

Main activities

- Development of informative documents for the 4 beam-to-column joints qualified within the EQUALJOINTS project and translation of these documents from English to 11 additional languages
- Development of recommendations and criteria to be used in setting up limits of applicability between EN 1993:1-8 and EN 1998-1. A set of requirements within EN 1090-2 are defined. The documents are drafted as pre-normative design recommendation in English which are translated 11 additional languages
- Development of guidelines for design and analysis of seismic resistant steel structures accounting for the behaviour of beam-to-column joints. In addition, examples for different structural systems are presented which show the influence of different joint typologies.
- Enhancement of the EQUALJOINTS Matlab software for analytical prediction of the cyclic response of joints, allowing an easy application by users in practice. Moreover, an EQUALJOINTS-app for mobile phone is developed.
- Preparation of the material to be disseminated in English and translation in the mother tongue of the places where seminars/workshop will be taken.
- Organization of workshops and seminars where the pre-normative design guidelines will be disseminated. In addition, the materials will be available in printed forms and downloadable from the project website.

Results

The prequalification criteria for the 4 typologies of steel moment resisting beam-to-column joints from the EQUALJOINTS project (3 bolted connections and 1 reduced beam section – dog-bone) are being considered for the implementation in the next version of the design codes. The dissemination materials will be available in printed form and downloadable from the project website.

Applicability and transferability of the results

- Use of the new versions of design codes with simplified procedures for designing steel moment resisting beam-to-column joints.
- The rotational capacity and ductility demand of the joints required by the current codes are assured using the prequalification seismic design criteria.
- Increased structural safety against the seismic hazard in large parts of Europe.
- Improvement in life cycle costs and sustainability due to the reduction of losses caused by seismic hazards.

Financed through/by

Research Fund for Coal and Steel, grant agreement RFCS 12/04/2017 – number 754048

Research Centre

The Research Centre for Mechanics of Materials and Structural Safety – CEMSIG

Research Team

- Acad. Dan DUBINA
- Assoc.prof. Aurel STRATAN
- Ing. Dominiq JAKAB
- As.dr.ing. Adriana CHESOAN

Contact information

Acad. Dan Dubina
Faculty of Civil Engineering /
Department of Steel Structures and Structural Mechanics,
Ioan Curea Street No.1, 300224, Timișoara
Phone: +40 (0) 256 403 911
Mobile: +40 (0) 740 137 610
E-mail: dan.dubina@upt.ro